

Golf Bag Organizer



User
Manual

Parts Contents

Frame A x3



Frame B x3



Frame C x3



Frame D x3



Straight Bar G x2



Straight Bar H x2



Straight Bar E x2



Straight Bar F x2



Large Wood Board x3

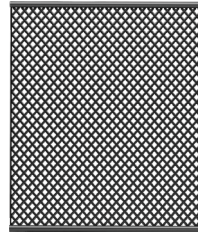


Small Wood Board x1

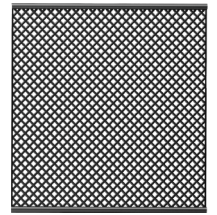


Slideway x2

Large Iron Board x1



Small Iron Board x1



Screwdriver For Screw A&B



Long Screw A x28



Short Screw B x16



Screwdriver For Screw C



Thin Long Screw C x4



Wheels x6



Support Foot x6



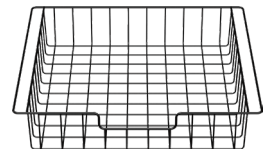
Bungee Cord x2



Large Plug x8
Small Plug x2

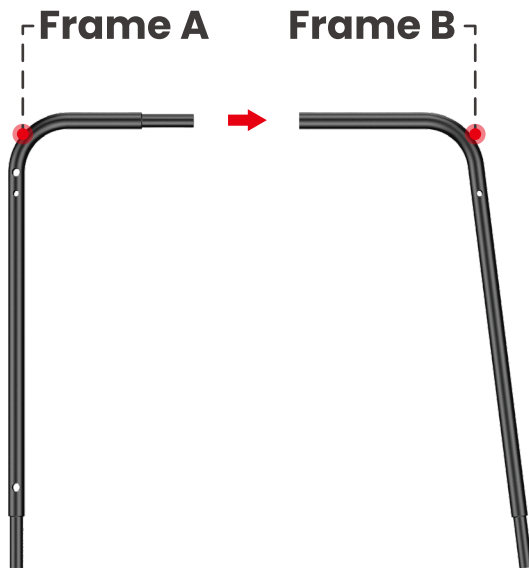


Storage Basket x1

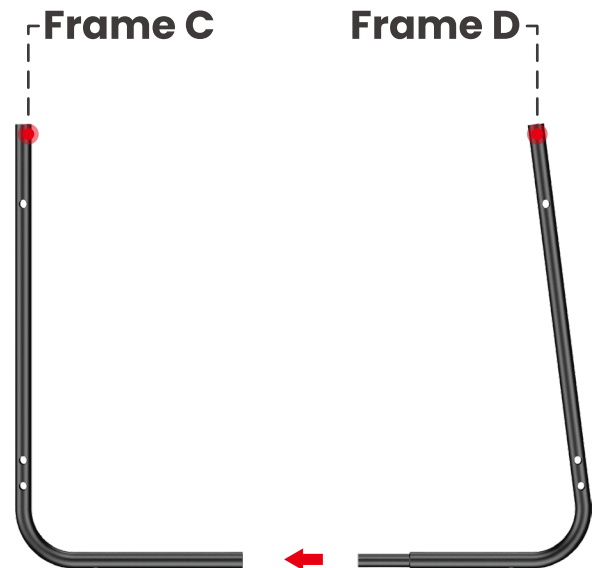


Shelf installation

Step 1



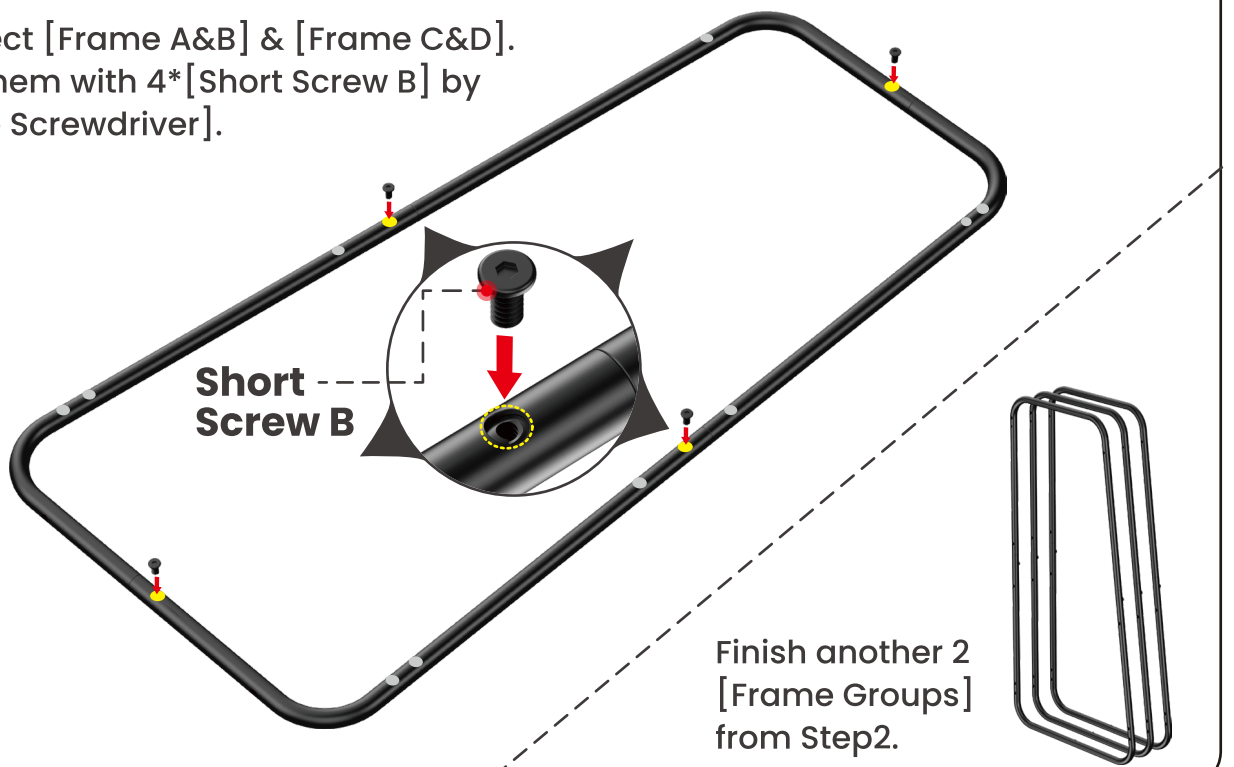
Connect [Frame A]&[Frame B].



Connect [Frame C]&[Frame D].

Step 2

Connect [Frame A&B] & [Frame C&D].
Lock them with 4* [Short Screw B] by
[Large Screwdriver].



Finish another 2
[Frame Groups]
from Step2.

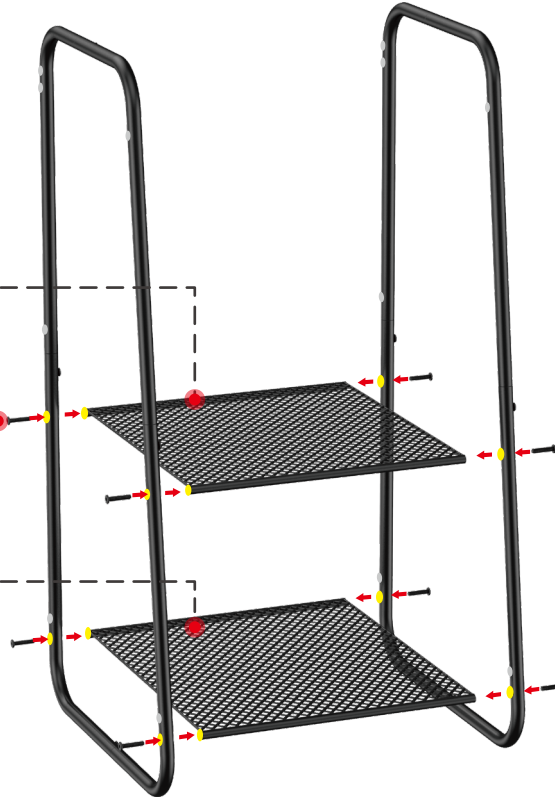
Shelf installation

Step 3

Small Iron Board

Long Screw A

Large Iron Board



Notice: [Large Iron Board] must lock in the lowest frame screw hole.

Connect [Large Iron Board] & [Small Iron Board] between 2 [Frame Groups] with [Long Screw A] by [Large Screwdriver].

Notice: The side with the baffle is the tail.

Step 4

Put [Large Wood Board] between 2 [Slideways]



Step 5

Connect [Large Wood Board] and 2 [Slideways] between 2 frames though [Thin Long Screw C] by [Small Screwdriver].

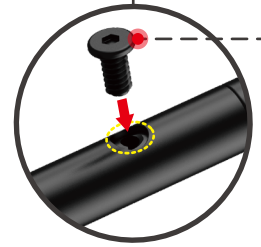


Shelf installation

Step 6

Straight Bar H

Straight Bar G

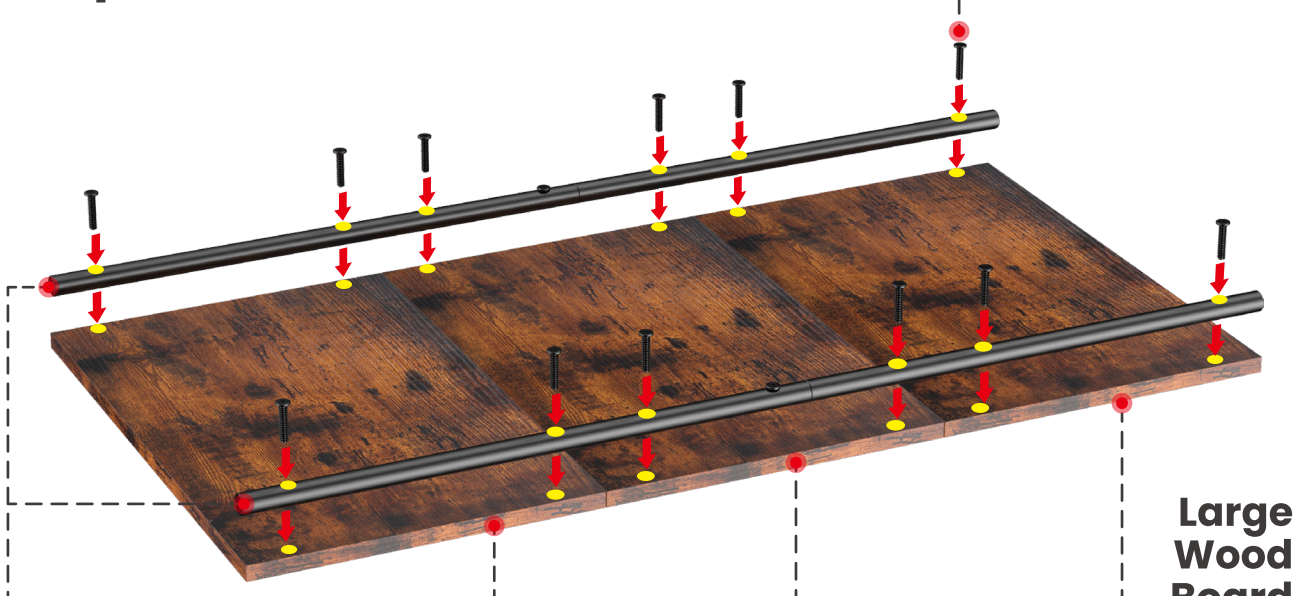


Connect [Straight Bar H]&[Straight Bar G]
with [Short Screw B] by [Large Screwdriver].

Short Screw B

Step 7

Long Screw A



Straight Bar G&H Groups

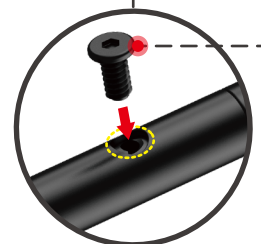
**Large
Wood
Board**

Connect 3 [Small Wood Boards], 2 [Straight Bar G&H] groups
with [Long Screw A] by [Large Screwdriver].

Step 8

Straight Bar F

Straight Bar E

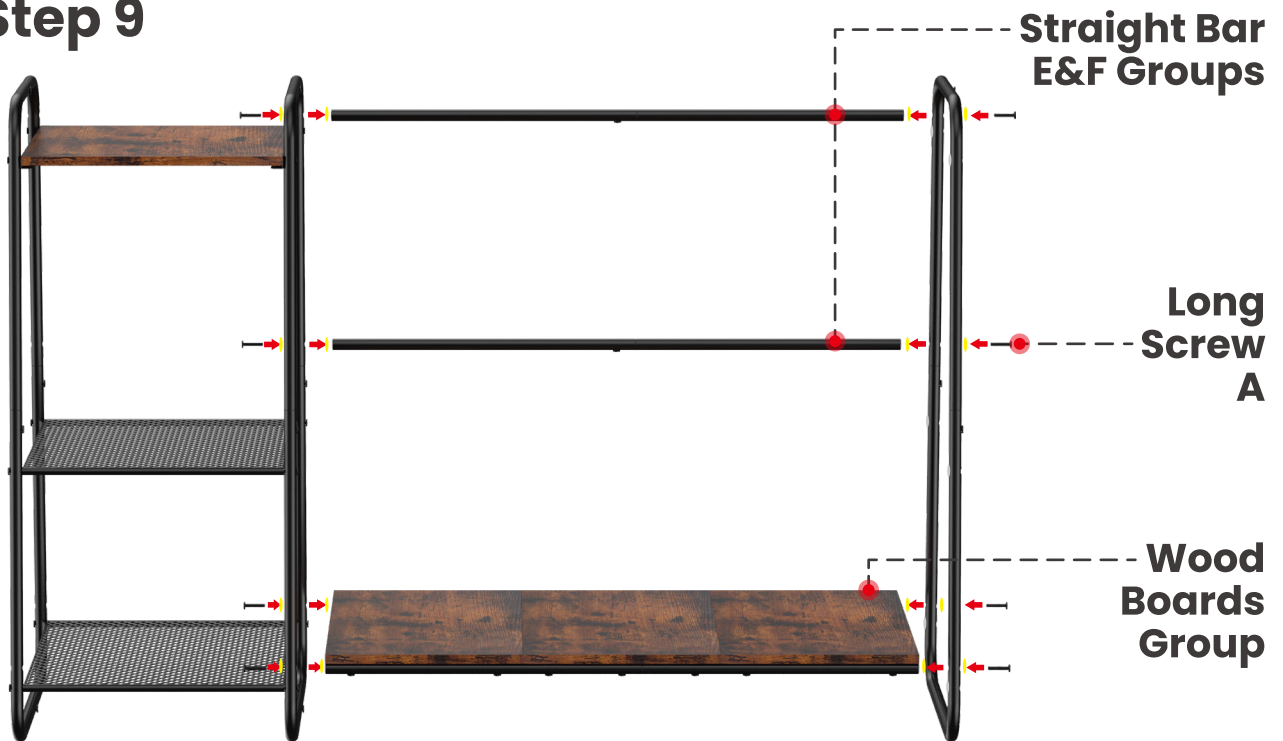


Connect [Straight Bar E]&[Straight Bar F]
with [Short Screw B] by [Large Screwdriver].

Short Screw B

Shelf installation

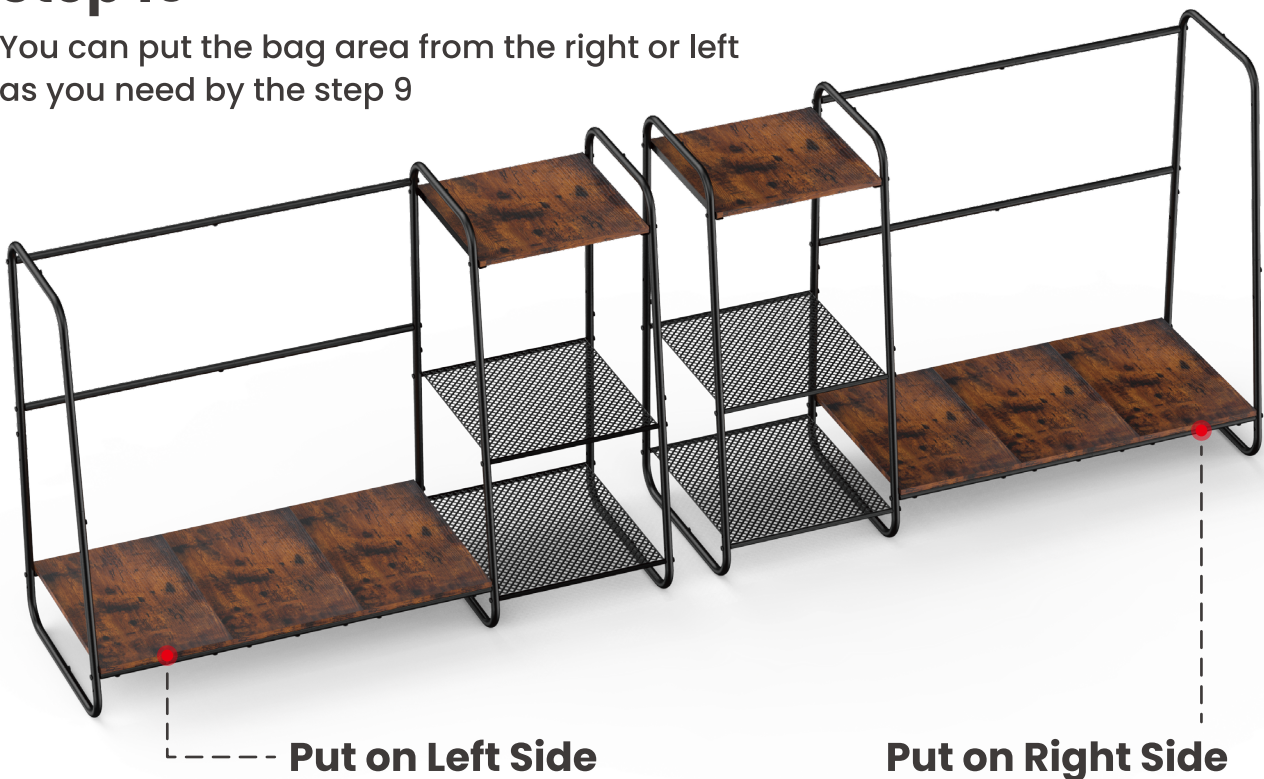
Step 9



Connect 2 [Straight Bar E&F] and [Wood Boards Group] between a [Frame] and [Frame Bottom] with [Long Screw A] by [Large Screwdriver].

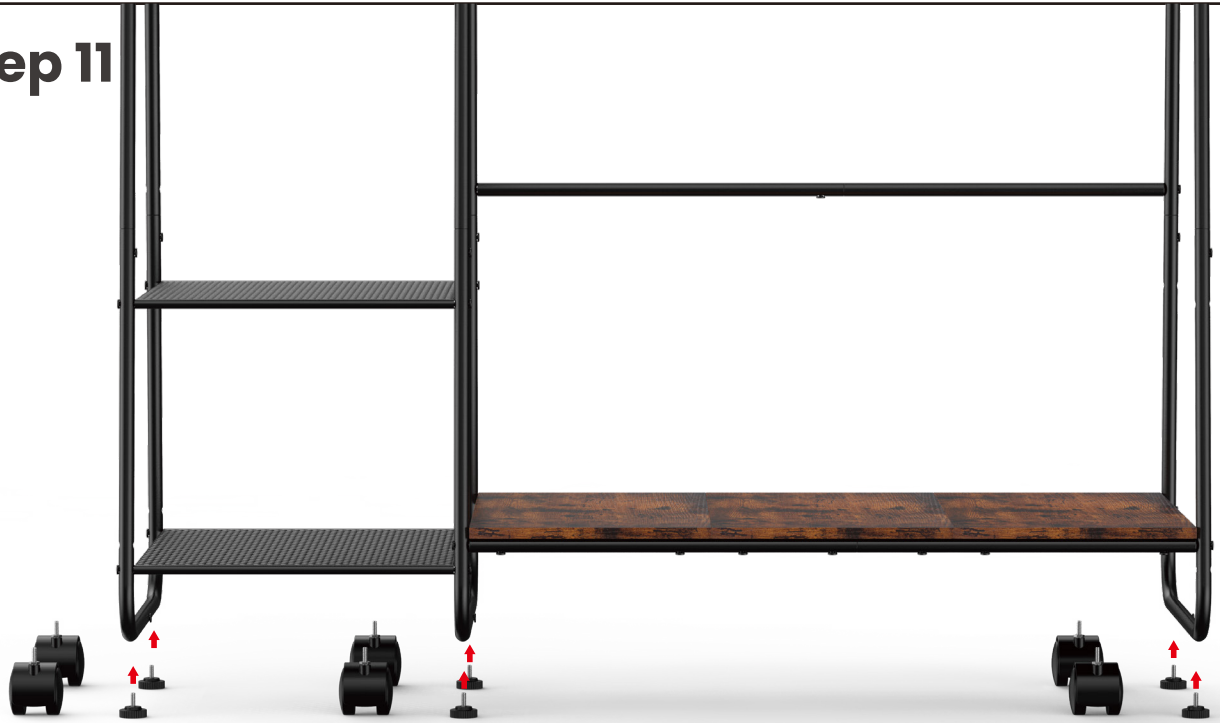
Step 10

You can put the bag area from the right or left as you need by the step 9



Shelf installation

Step 11



Lock [Wheels] or [Support Feet]
(We provide wheels and support feet, you can choose as you want.)

Step 12



Finally, push [Storage Basket] into the slideway under the [Small Wood Board], and put Large Plug & Small Plug into the un-used screw holes outside of the screws.



Any questions about the product or using, feel free to reach out anytime.
We will be here waiting for you.



Support Email Address
support@agustrike.com



Support Code



Support Website
agustrike.com